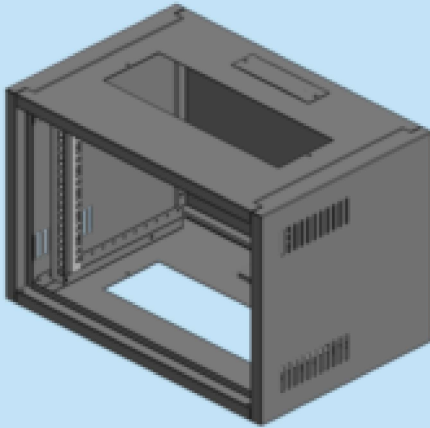


:: 19" WALL MOUNTING CABIN



ORDER NO RAL 9005	TYPE	DESCRIPTION	DIMENSIONS (WxHxD)mm	THICKNESS	QTY
701 091	19WM C3UE4	19" WM Cabin 3U Econ	600x225x400mm	0.8mm	01
701 099	19WM C5UE4	19" WM Cabin 5U Econ	600x300x400mm	0.8mm	01
701 097	19WM C7UE4	19" WM Cabin 7U Econ	600x400x400mm	0.8mm	01
701 095	19WM C9UE4	19" WM Cabin 9U Econ	600x500x400mm	0.8mm	01
701 093	19WM C11UE4	19" WM Cabin 11U Econ	600x600x400mm	0.8mm	01
701 101	19WM C5U4	19" WM Cabin 5U	600x300x400mm	1.2mm	01
701 106	19WM C7U4	19" WM Cabin 7U	600x400x400mm	1.2mm	01
701 111	19WM C9U4	19" WM Cabin 9U	600x500x400mm	1.2mm	01
701 116	19WM C11U4	19" WM Cabin 11U	600x600x400mm	1.2mm	01
701 121	19WM C16U4	19" WM Cabin 16U	600x800x400mm	1.2mm	01
701 126	19WM C20U4	19" WM Cabin 20U	600x1000x400mm	1.2mm	01
701 201	19WM C5U6	19" WM Cabin 5U	600x300x600mm	1.2mm	01
701 206	19WM C7U6	19" WM Cabin 7U	600x400x600mm	1.2mm	01
701 211	19WM C9U6	19" WM Cabin 9U	600x500x600mm	1.2mm	01
701 216	19WM C11U6	19" WM Cabin 11U	600x600x600mm	1.2mm	01
701 221	19WM C16U6	19" WM Cabin 16U	600x800x600mm	1.2mm	01
701 226	19WM C20U6	19" WM Cabin 20U	600x1000x600mm	1.2mm	01
701 240	19WM C5U8	19" WM Cabin 5U	600x300x800mm	1.2mm	01
701 244	19WM C7U8	19" WM Cabin 7U	600x400x800mm	1.2mm	01
701 248	19WM C9U8	19" WM Cabin 9U	600x500x800mm	1.2mm	01
701 252	19WM C11U8	19" WM Cabin 11U	600x600x800mm	1.2mm	01
701 256	19WM C16U8	19" WM Cabin 16U	600x800x800mm	1.2mm	01
701 260	19WM C20U8	19" WM Cabin 20U	600x1000x800mm	1.2mm	01

19" Rack-Wall Mounting Cabin; Consists of Cabin & 01 Set (2 Pcs) Mounting Rail.

NOTE: Accesories given on 19" Free Standing Rack section of this catalogue can be used with 19" Wall Mounting Racks too.

RAL 9005 or any other color on request,subject to MOQ.