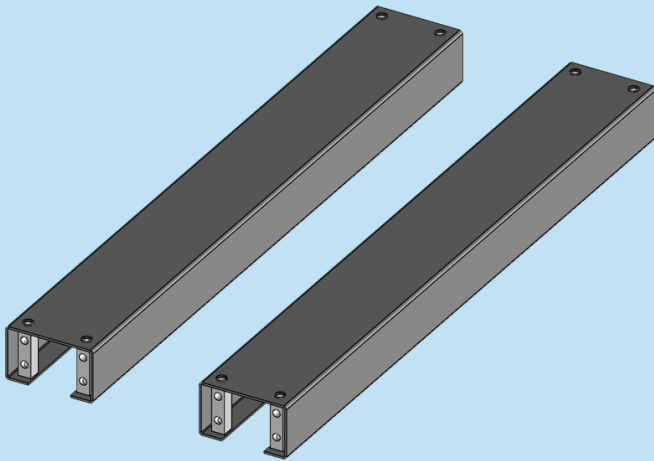
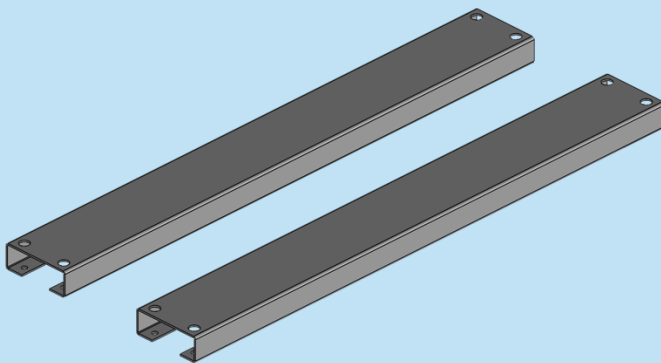


## ❖ ACB MOUNTING PROFILE



ORDER NO	TYPE	DESCRIPTION	MODULE SIZE	SIZE	THICKNESS	QTY
822 010	ACBM2M	ACB Mounting Profile	2M	385x82.5x55	2.0mm	Set of 2 No
822 011	ACBM3M	ACB Mounting Profile	3M	605x82.5x55	2.0mm	Set of 2 No
822 012	ACBM4M	ACB Mounting Profile	4M	825x82.5x55	2.0mm	Set of 2 No

## ❖ ACB MOUNTING PROFILE



ORDER NO	TYPE	DESCRIPTION	MODULE SIZE	SIZE	THICKNESS	QTY
822 015	ACBM2M	ACB Mounting Profile	2M	430x82.5x30	2.0mm	Set of 2 No
822 016	ACBM3M	ACB Mounting Profile	3M	605x82.5x30	2.0mm	Set of 2 No
822 017	ACBM4M	ACB Mounting Profile	4M	870x82.5x30	2.0mm	Set of 2 No