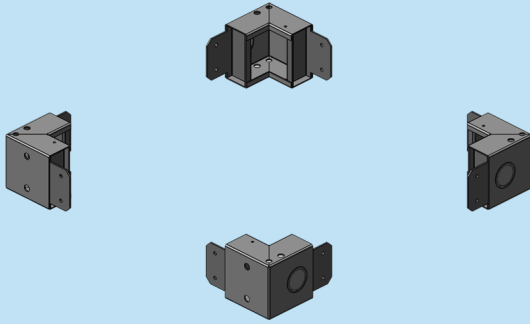
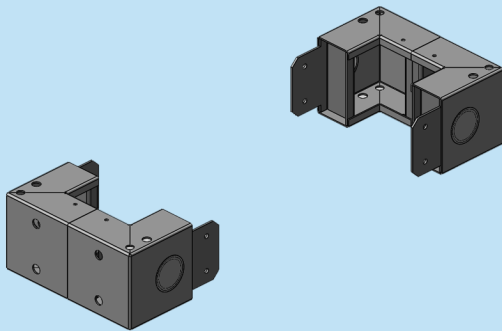


❖ PLINTH CORNER



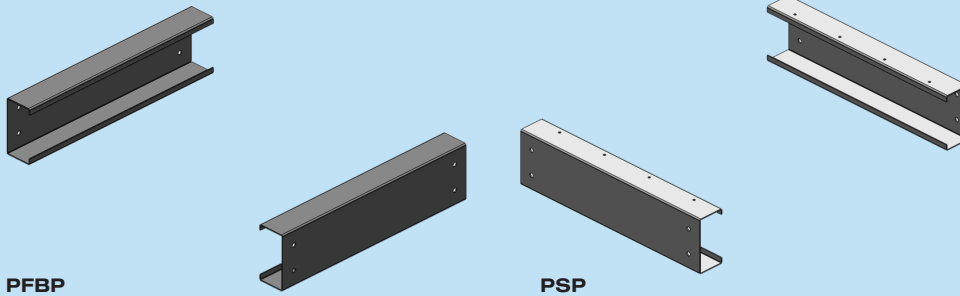
ORDER NO	TYPE	DESCRIPTION	MODULE SIZE	DIMENSIONS (WxHxD)mm	THICKNESS	QTY
800 010	PLC	Plinth Corner	0.5x0.5x0.5M	110x110x110mm	2.0mm	Set of 4 No

❖ PLINTH SIDE



ORDER NO	TYPE	DESCRIPTION	MODULE SIZE	DIMENSIONS (WxHxD)mm	THICKNESS	QTY
800 060	PS1M	Plinth Side	1M	220x110x220mm	2.0mm	Set of 2 No

❖ PLINTH PROFILE



PFBP

PSP

ORDER NO AISI 304	TYPE	DESCRIPTION	MODULE SIZE	DIMENSIONS (W)mm	THICKNESS	QTY
800 110	PFBP 2	Plinth Front & Back Profile	2M	220mm	2.0mm	Set of 2 No
800 120	PFBP 3	Plinth Front & Back Profile	3M	440mm	2.0mm	Set of 2 No
800 130	PFBP 4	Plinth Front & Back Profile	4M	660mm	2.0mm	Set of 2 No
800 140	PFBP 5	Plinth Front & Back Profile	5M	880mm	2.0mm	Set of 2 No
800 150	PFBP 6	Plinth Front & Back Profile	6M	1100mm	2.0mm	Set of 2 No
800 160	PFBP 7	Plinth Front & Back Profile	7M	1320mm	2.0mm	Set of 2 No
800 170	PFBP 8	Plinth Front & Back Profile	8M	1540mm	2.0mm	Set of 2 No
800 180	PFBP 9	Plinth Front & Back Profile	9M	1760mm	2.0mm	Set of 2 No
800 190	PFBP 10	Plinth Front & Back Profile	10M	1980mm	2.0mm	Set of 2 No
800 420	PSP 2	Plinth Side Profile	2M	220mm	2.0mm	Set of 2 No
800 430	PSP 3	Plinth Side Profile	3M	440mm	2.0mm	Set of 2 No
800 440	PSP 4	Plinth Side Profile	4M	660mm	2.0mm	Set of 2 No
800 450	PSP 5	Plinth Side Profile	5M	880mm	2.0mm	Set of 2 No
800 460	PSP 6	Plinth Side Profile	6M	1100mm	2.0mm	Set of 2 No