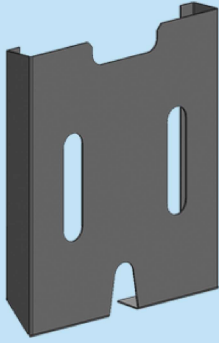
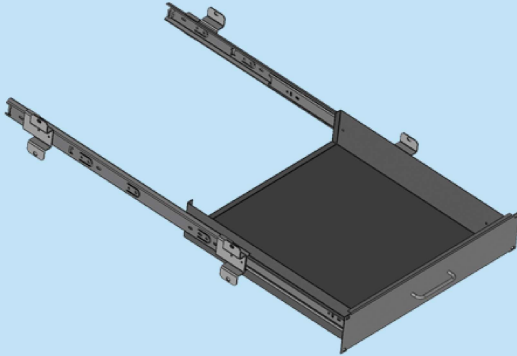


:: MANUAL POCKET



ORDER NO RAL 9005	TYPE	DESCRIPTION	DIMENSIONS (WxH)mm	THICKNESS	QTY
709 800	19A MP	Manual Pocket	220x250mm	1.2mm	01 Set

:: DOCUMENT TRAY



ORDER NO RAL 9005	TYPE	DESCRIPTION	DIMENSIONS (WxH)mm	THICKNESS	QTY
709 311	19A DT400	Document Tray	19"x400mm	01 Set	01 Set

RAL 9005 or any other color on request,subject to MOQ.